

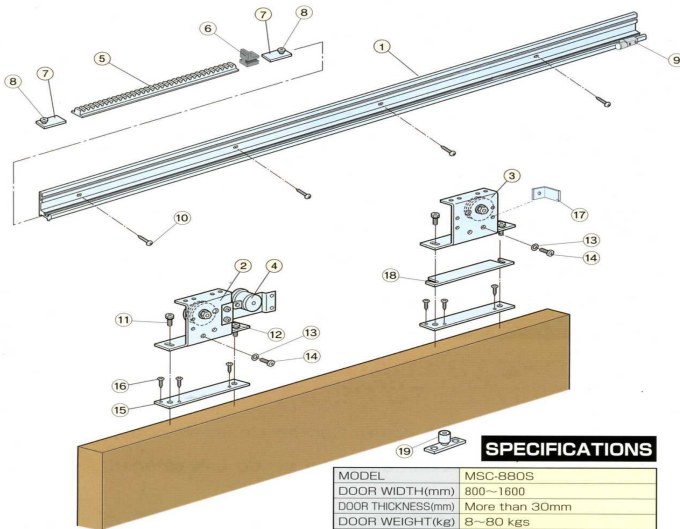
SLIDING DOOR CLOSERS

COUNTRY OF ORIGIN : JAPAN

SLIDING CLOSER SLOPE TYPE MSC-880S

USED FOR BOTH,
IN-WALL & STANDARD APPLICATION

PART DETAILS



SPECIFICATIONS

MODEL	MSC-880S
DOOR WIDTH(mm)	800~1600
DOOR THICKNESS(mm)	More than 30mm
DOOR WEIGHT(kg)	8~80 kgs
TYPE	SLOPE TYPE
CONTROLLING SYSTEM	Fluid friction resistance type
CONTROLLING TIME	7~11 seconds(door-opening width 900mm)

PART DETAILS

STANDARD

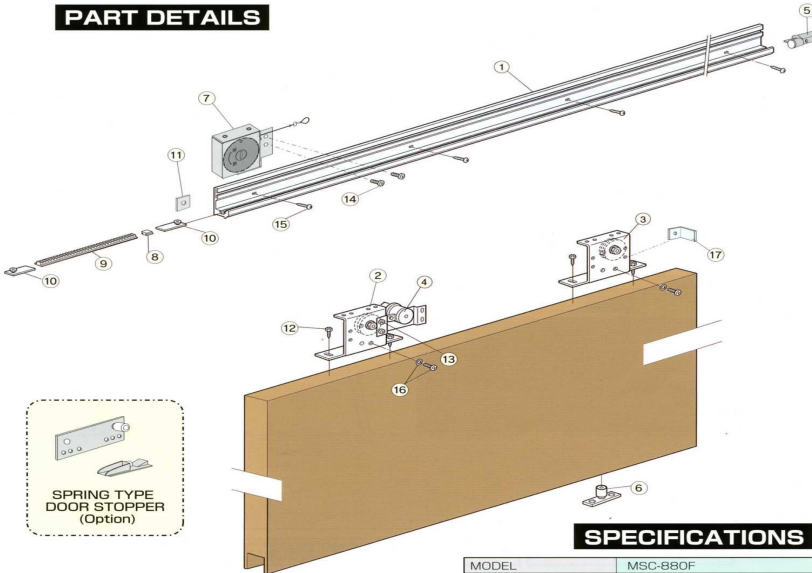
TYPE	QUANTITIES	TYPE	QUANTITIES
① ALUMIN. RAIL L=2200mm	1	⑪ M8 X 25 HEX HEAD SCREWS	2
② HANGER W/ROLLER (FRONT)	1	⑫ M5 X 10 TAPPING SCREWS	2
③ HANGER W/ROLLER (REAR)	1	⑬ WASHER	1
④ CONTROL UNIT 1	1	⑭ M8 X 30 TAPPING SCREWS	2
⑤ CONTROL RACK UNIT	1+(1)	⑮ HEIGHT ADJUSTMENT PLATE(wood door)	2
⑥ SILENCER RUBBER	6+1	⑯ φ5 X 30 PAN HEAD SCREWS	8
⑦ RACK FIXING PARTS	2	⑰ DOOR STOPPER FIXING PLATE	1
⑧ M4 X 8 TAPPING SCREWS	8	⑱ HEIGHT ADJUSTMENT PLATE(wood door)	1
⑨ MAGNETIC DOOR STOPPER	4	⑲ GUIDE ROLLER	1
⑩ M5 X 35 TAPPING SCREWS	8		

SLIDING CLOSER, FLAT TYPE (REEL TYPE) MSC-880F

USED FOR BOTH,
IN-WALL & STANDARD APPLICATION

DAN

PART DETAILS



SPECIFICATIONS

MODEL	MSC-880F
DOOR WIDTH(mm)	800~1600
DOOR THICKNESS(mm)	More than 30mm
DOOR WEIGHT(kg)	8~80 kgs
TYPE	FLAT TYPE(REEL TYPE)
CONTROLLING SYSTEM	Fluid friction resistance type

PART DETAILS

STANDARD

TYPE	QUANTITIES	TYPE	QUANTITIES
① ALUMIN. RAIL L=2200mm	1	⑩ RACK FIXING PARTS	2
② HANGER W/ROLLER (FRONT)	1	⑪ WIRE SPRING FIXING PART	1
③ HANGER W/ROLLER (REAR)	1	⑫ 8 X 40 COACH SCREWS	4
④ CONTROL UNIT	1	⑬ M5 X 10 TAPPING SCREWS	2
⑤ MAGNETIC DOOR STOPPER	1	⑭ M5 X 10 TAPPING SCREWS	1
⑥ GUIDE ROLLER φ14	1	⑮ M5 X 35 TAPPING SCREWS	8
⑦ WIRE SPRING DEVICE	1	⑯ M8 X 30 DOOR DROP PREVENTION SCREW	2
⑧ SILENCER RUBBER	1	⑰ DOOR STOPPER FIXING PLATE	1
⑨ CONTROL RACK	1		

"DAN" SLIDING DOOR CLOSER SINGLE DOOR

NO. MSC-880S **SLOPE TYPE**

Rail size	Applicable Door
2200mm	1200mm
2800mm	1500mm
3400mm	1800mm

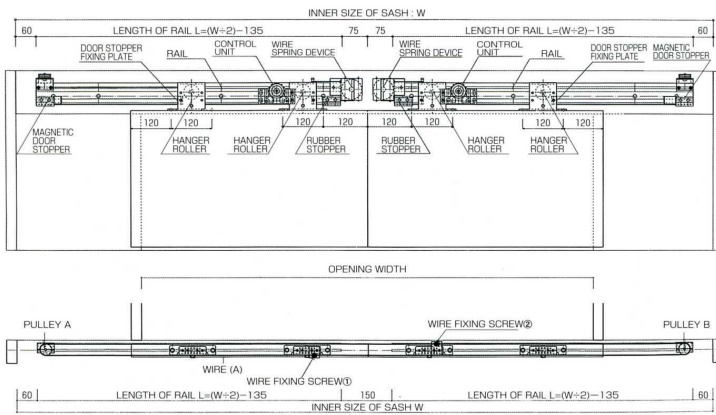
"DAN" SLIDING DOOR CLOSER SINGLE DOOR

NO. MSC-880F **HORIZONTAL TYPE**

Rail size	Applicable Door
2200mm	1200mm
2800mm	1500mm
3400mm	1800mm

SLIDING CLOSER **FLAT TYPE (REEL TYPE) MSC-880F** **DAN**

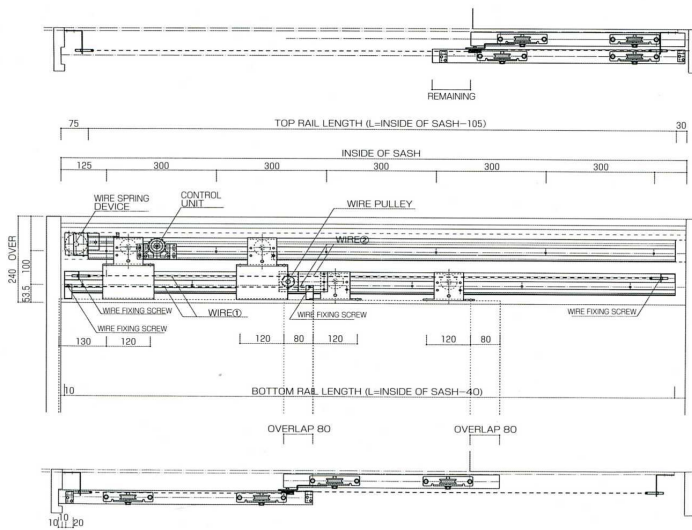
LINKED BI-PARTING SLIDING CLOSER



HOW TO INSTALL THE WIRE

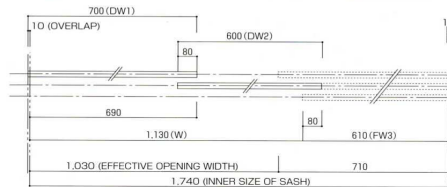
- ① Install lightly the Pulley A or B approximately 10~20mm at inner position.
- ② Fix the end of Wire (A) at Wire fixing screw ① and the end of Wire (B) at Wire fixing screw ② respectively.
- ③ Install the Wire (A) in Pulley A, and Wire (B) in Pulley B slightly stretched.
- ④ Pull the both ends of Pulleys to the out-side position, so that the Wire becomes tightly stretched.

LINKED ONE-WAY DOUBLE DOOR SLIDING CLOSER

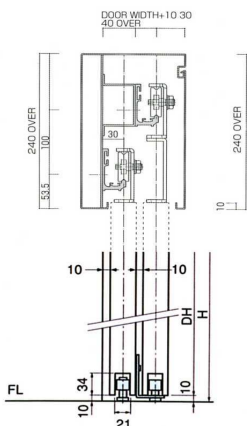


ABOVE DIAGRAM REPRESENTS A RIGHT-HANDED OPENING TYPE

IN CASE THAT THE OVERLAPPING OF DOOR FRONT END IS 10mm



(EFFECTIVE OPENING WIDTH + 100) / 2 + 135 =	DW1
DW1 - 100 =	DW2
DW2 + 10 =	DW3
DW1 + DW2 + DW3 - 170 =	= INNER SIZE OF SASH
(1030 + 100) / 2 + 135 =	700
700 - 100 =	600
600 + 10 =	610
700 + 600 + 610 - 170 =	1740

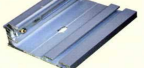
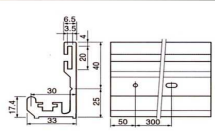

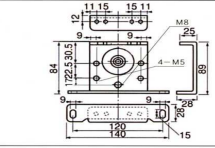

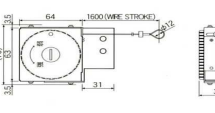
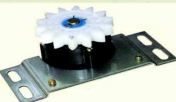
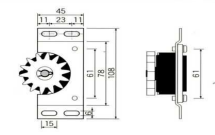

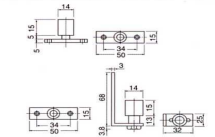

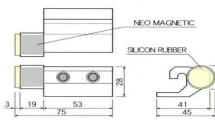


"DAN" BRAND SLIDING CLOSER, REEL TYPE (HORIZONTAL)

DOUBLE DOOR DRAW-AWAY OPENING TYPE

DOUBLE DOOR ONE-WAY OPENING TYPE

MSC-880, MSC-030 STANDARD SET PARTS

PART NAME	DIAGRAM	SPECIFICATION/OBSERV.
ALUMINUM RAIL (FOR MSC-880) 		<ul style="list-style-type: none"> ●ALUMINUM A6063S-T5 ALUMITE
HANGER/ROLLER (FOR MSC-880) 		<ul style="list-style-type: none"> ●FRAME : SPHC(CHROMATE) ●SPINDLE : SWCH (CHROMATE) ●ROLLER : POLYACETAL (W/BEARING) ●FRONT/REAR ●RIGHT/LEFT REVERSIBLE ●FOR FLAT/ SLOPE TYPE
SPRING WIRE DEVICE 		<ul style="list-style-type: none"> ●FRAME : SPHC(CHROMATE) ●WIRE : STAINLESS STEEL ●POWER : 20~80 kg ●FIXING PLATE : SPHC ●POWER ADJUSTABLE BY SCREW DRIVER
CONTROL UNIT 		<ul style="list-style-type: none"> ●FIXING PLATE : STAINLESS STEEL ●CLUTCH GEAR : POLYACETAL ●SILICON OIL ●DUMPER PC ●RIGHT/LEFT REVERSIBLE ●POWER ADJUSTABLE BY SCREW DRIVER
GUIDE ROLLER 		<ul style="list-style-type: none"> ●BODY : SUS304 ●SPINDLE : SUS304 ●ROLLER : NYLON ●L TYPE DOOR THICKNESS: 30~40mm
DOOR STOPPER 		<ul style="list-style-type: none"> ●BODY : ALUM. A6063S-T5 (ALUMITE) ●DOOR STOPPER STRIKE: BRAS ●NEO MAGNETIC ●SILICON RUBBER

"DAN" SLIDING DOOR CLOSER ACCESSORIES

ALUMINUM RAIL


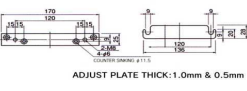

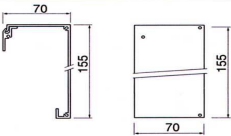

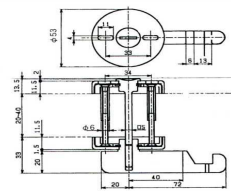
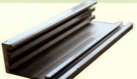
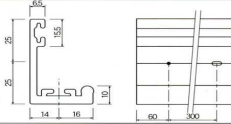
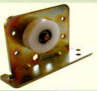
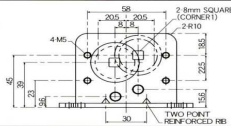
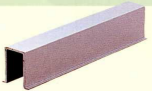
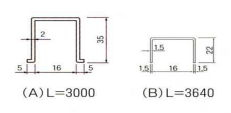
HANGER

SPRING WIRE

CONTROL UNIT

GUIDE ROLLER

DOOR STOPPER

PART NAME	DIAGRAM	SPECIFICATION/OBSERV.
HEIGHT ADJUSTMENT PLATES 	 <p>ADJUST PLATE THICK: 1.0mm & 0.5mm</p>	<ul style="list-style-type: none"> ●FOR WOODEN DOOR: SPHC (CHROMATE) ●ADJUST PLATE : STEEL
CHECKING COVER 		<ul style="list-style-type: none"> ●ALUM. A6063S-T5 ●SILVER : ST. STEEL COLOR ●FIXING SCREW : ST. STEEL ●REVERSIBLE FOR RIGHT/LEFT HAND
INDICATING BOLT(OPTION) 		<ul style="list-style-type: none"> ●INDICATING BOLT: SUS304 ●L TYPE RECEIVER : PLAIN STEEL
ALUMINUM RAIL (FOR MSC-030) 		<ul style="list-style-type: none"> ●ALUMINUM A6063S-T5 ALUMITE
HANGER/ROLLER (FOR MSC-030) 		<ul style="list-style-type: none"> ●FRAME : SPHC(CHROMATE) ●SPINDLE : SWCH (CHROMATE) ●ROLLER : POLYACETAL (W/BEARING) ●FRONT/REAR, RIGHT/LEFT REVERSIBLE ●FOR FLAT/ SLOPE TYPE
GUIDE RAIL (OPTION) 	 <p>(A) L=3000 (B) L=3640</p>	<ul style="list-style-type: none"> ●ALUMINUM A6063S-T5 ALUMITE

HEIGHT ADJUSTING PLATE(option)

LATERAL CHECKING COVER(option)

INDICATING BOLT(option)

ALUMINUM RAIL (FOR MSC-030)

HANGER (FOR MSC-030)

GUIDE RAIL(option)